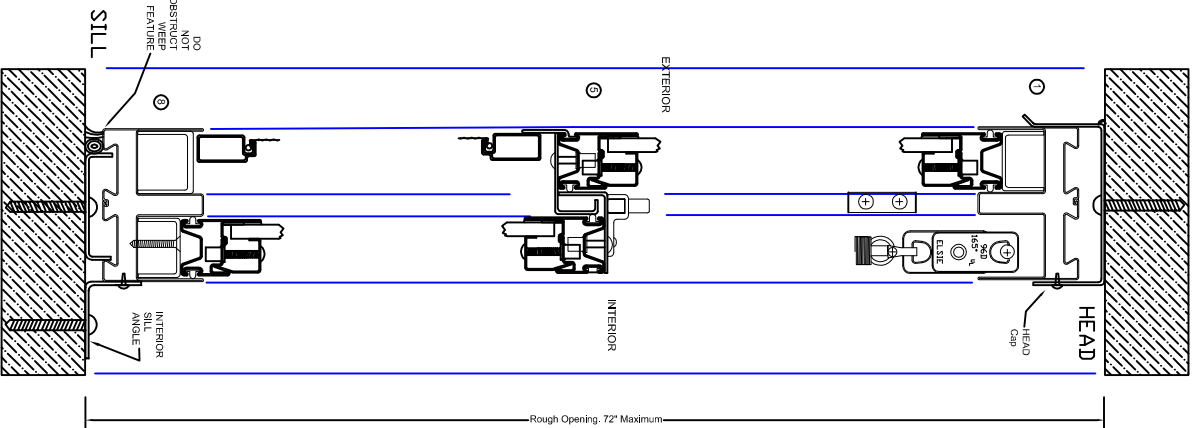
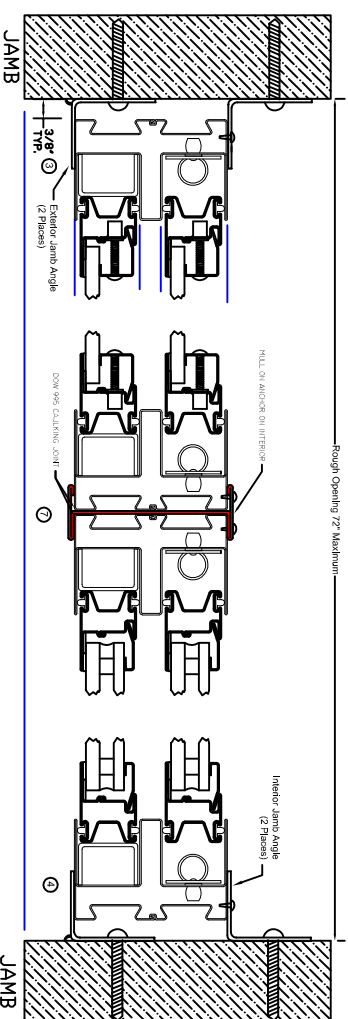


## Elevation (Exterior)



Glazing Option 2  
3/16" Single



### FIRE-TEC SERIES 925P (MULLED) UL LABELED STEEL FIRE RATED WINDOW

Design load ratings for these windows to be as per chart shown lower left.

#### Fastener Schedule:

Anchors shall be spaced as indicated on details. Subframe: jamb, head, and sill fasteners to be corrosion resistant #10 x 1 1/2" wood or self tapping screws, spaced at 16" on center maximum, with a maximum of 3" from each end. 1/2" self tapping screw will attach trim components to window frame on interior side same spacing as previous.

Silicone caulking applied to all visible seams between wall, mullion, and window framing connected by subframe install kit.

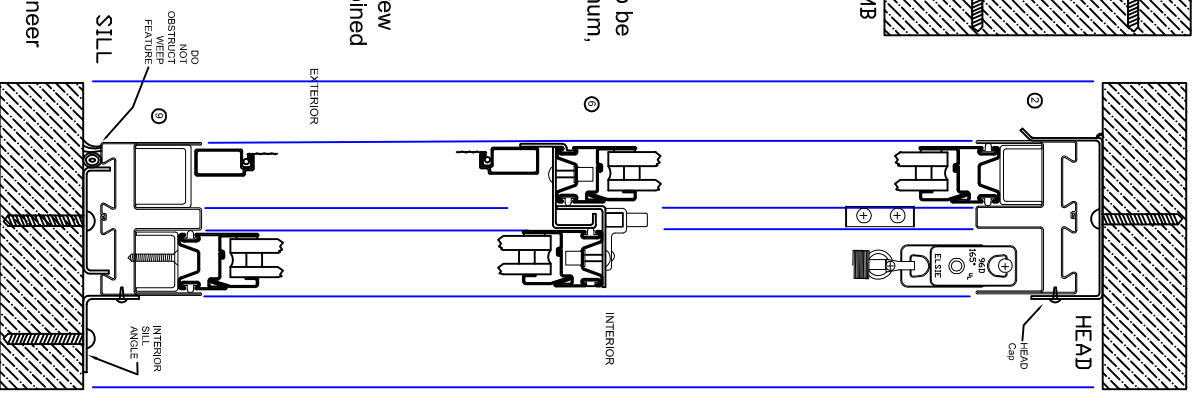
Zero vertical mullion to be fastened to both windows on interior side using 1/2" self tapping screw using 3" from ends and 16" maximum spacing thereafter. Mullion window ends should be joined using Dow 995 structural adhesive (not supplied) on exterior side.

#### Glazing Options:

1. Windows glazed with 1 1/8" IGU (Minimum 3/16" ceramic fire-rated glass over 1/4" annealed)
2. Windows glazed with 3/16" ceramic fire-rated glass.

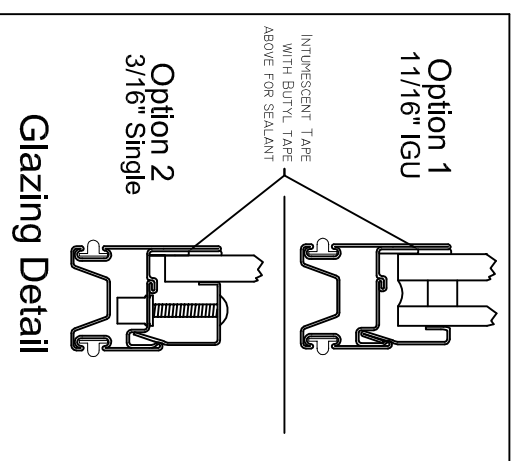
#### General Notes:

1. This is a non-impact fire-rated window system in accordance with and meeting the requirements of the Florida Building Code (FBC).
2. Impact shutters are required with these units.
3. Buck, framing, and masonry by others and is the responsibility of the architect or engineer of record.
4. This installation procedure does not address the sealing consideration that may arise in different wall conditions. See the installation instructions packaged with the window.
5. The Single Hung windows have been tested and meet the performance requirements of Class R-PG55-H Size Tested 72" x 72" Mullied law AAMA/WDMA/CSA 101/1.S.2/A440-17 and have been Classified as such by Underwriters Laboratories (File R21803)



Glazing Option 1  
1 1/8" IGU

DESIGN PRESSURE RATING +/- 55		HVHZ IMPACT RATING	
Load Direction	Water Penetration (1)	Structural (2)	
Positive	+55	+75	
Negative	N/A	-75	NONE
Notes	(1) Water Test Pressure = 8.25 psf equates to Design Pressure of +/- 55 (2) Structural Pressure = 112.5 psf equates to Design Pressure of +/- 75		
Rough Opening Size: 72" x 72" (6) anchors per Head / Sill & (5) anchors per Jamb. max-16" O.C.			



### Glazing Detail

### Drawing layouts NOT TO SCALE

## Series 925P Mullied Single Hung Windows Installation

DWN BY ERIN EILERS	
CK'd by	
DATE 12/23/20	701 Centennial Road Wayne, Nebraska 68787 Phone 1-800-377-3261 Fax 1-402-375-4261
MATL NEXT ASSY NTS	PAGE OF 1 DWG No. 925P_MULLED

#### TOLERANCE:

1. Fractions ±1/16
  2. Decimals +- .0625
  3. Angles +- 1/2 degree
- Except as Noted